

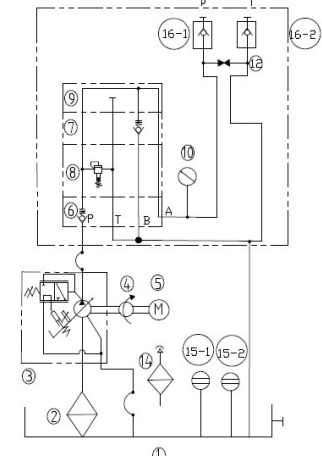
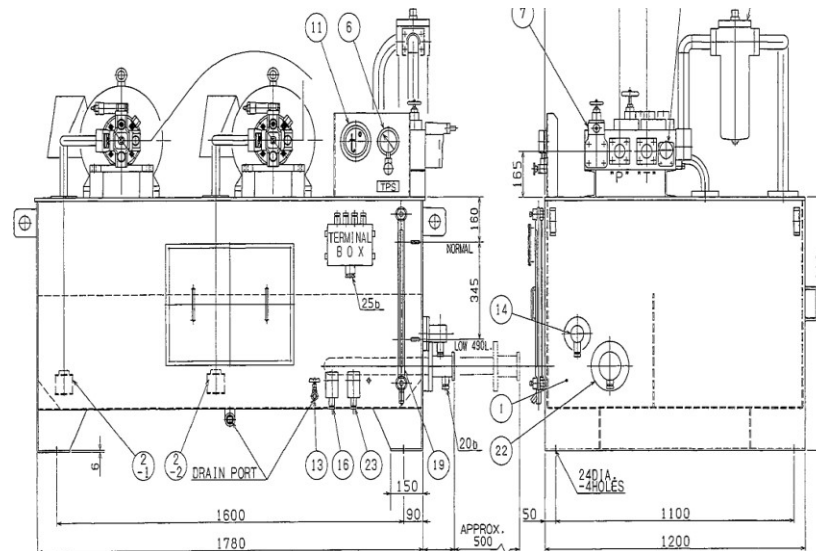
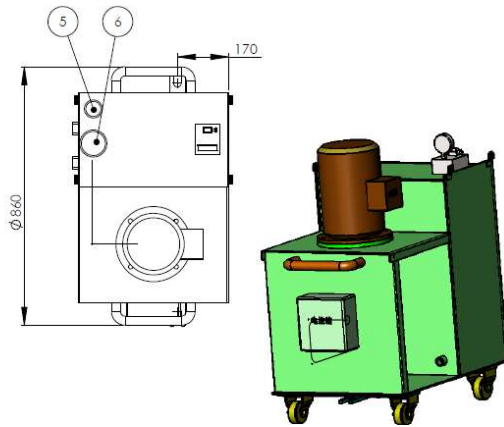
Delivery products

大连良智工业有限责任公司
Dalian Yoshitomo Industries Limited Liability Company



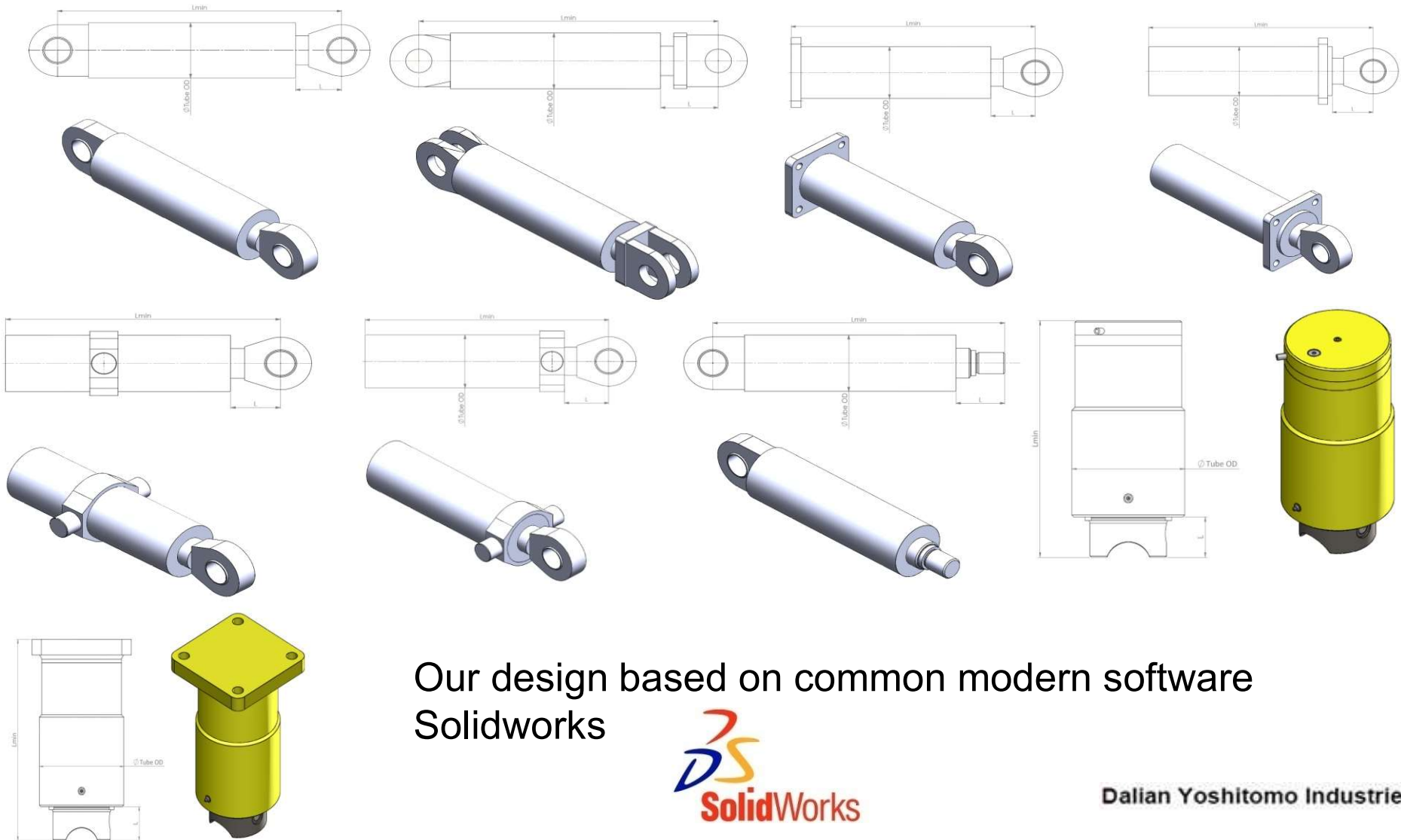


Various of experiences in Hydraulic and mechanical engineering 机械和液压方面经验丰富





Various design experience for cylinders 多品种液压缸设计经验



Our design based on common modern software
Solidworks

